

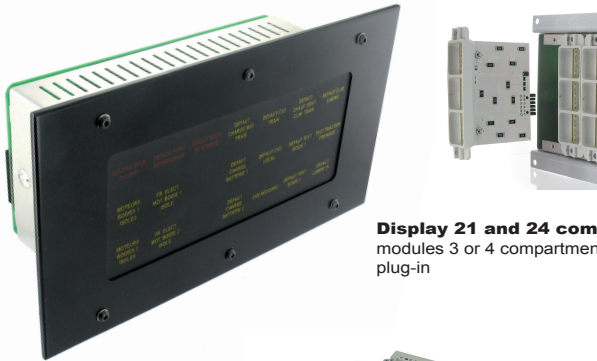


MAFELEC

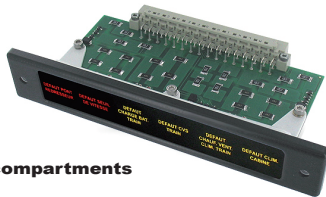
Indicator Unit (new generation)

Creating control and signalling solutions for harsh environment

Compact, light illuminated message and fault displays.
Function: inform operators of status



Display 21 and 24 compartments
modules 3 or 4 compartments
plug-in



Column 6 compartments

- **Little space required on front**
- **Uniform and contrast lighting**
- **6, 21, 24 compartment versions**
- **Secured functioning**
- **Cover and screen printing easy and quick change**

For other specific versions or models, please contact us

Standards :

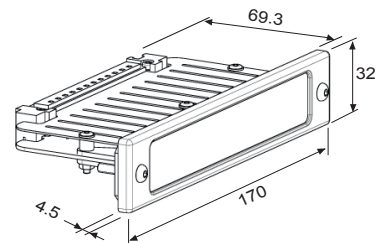
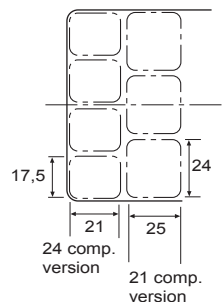
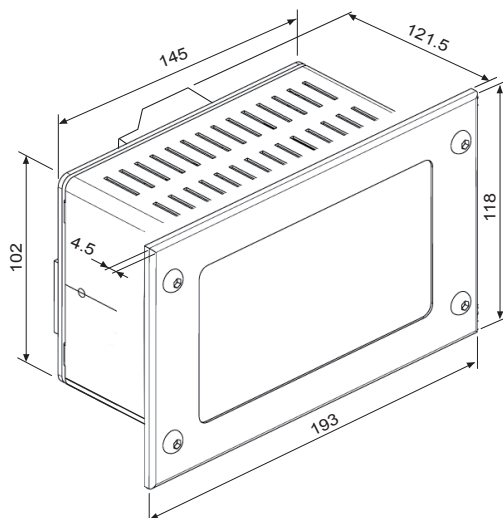
- **Shock, vibration** EN 61373
- **EMC** EN 50155

Mechanical characteristics :

- Operating temperature: -25°C to +70°C
- Indicators can be read at an angle of 65 °
- Important contrast (smoke version)
- No lighting interferences between compartments
- Weight: Display 24 comp. 750g, display 21 comp. 500g
Column 6 compartments 100g
- Protection:
 - Display 21 and 24 compartments: IK06, IP54 in front part, IP30 on back
 - Column 6 compartments: IK06, IP54 in front part
- Service life: 30 000hrs

Electrical characteristics :

- Supply voltage: 72 V (50 V to 90 V, others contact us)
- Consumption: 0.72 W per compartment at Un 72V
- Security:
 - Double LED circuit per compartment (redundance)
 - Test lamp Circuit
 - Non polarized
- Connection by connector



MAFELEC
www.mafelec.com

Textes et images non contractuels

(update 2013/09)