

Illuminated push button and indicator for dashboard



- **Ø 26 mm (1.02 inch) active area**
- **Unlimited choice of colors and symbols**
- **Easy and quick mounting (tool-free)**
- **Legendable label by customer**



Standards:

- Conception EN 60947-5-1
- Environnement EN60068, EN60529, EN62262, EN 16750
- ROHS
- REACH

Mechanical characteristics:

- Operating temperature: - 30°C (-22°F) to +70° C (+158°F)
- Service life (Push Button): 4 000 000 operations
- Protection : IP 54 (on front)
- Shock resistance: IK 06
- Depth activation (Push Button): 1.3 mm (0.05 in)
- Flush or projecting (2.5 mm; 0.10 in) flat lens
- Connection retention static force: 50 N

Electrical characteristics:

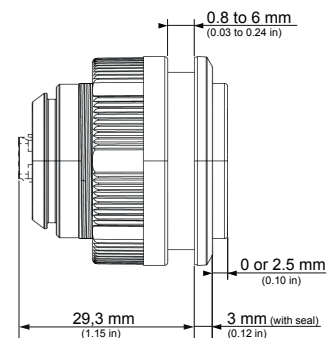
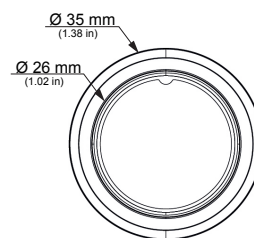
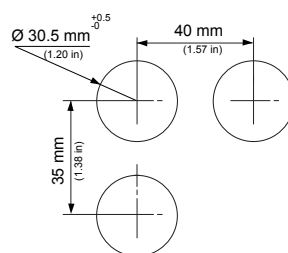
- Operating voltage: 12 VDC, 24 VDC. +/- 30%
- Current rating: 1 ... 50mA (LIN, CAN compatible)
- Push Button contact : 1 NO
- Plug & Play

Mounting:

- Manual tightening by nut
- Max tightening torque: 2Nm

Options:

- Customizing actuator and ring (back lit, logos, colours)
- Legendable label
- RGB and LIN integrated



ELECTRICAL SCHEMATIC

