

Company\*:

Select your activity\*:

Project:

N° plan:

\* Mandatory fields

**1 - Position:**  Lower light  Upper light

**2 - Fire & smoke:** European standard American standard

EN 45545  NFPA130  Other:

**3 - Requested functions**

Head lamp full mode  Head lamp dimmed mode  
 White marker lamp full mode  White marker lamp dimmed mode  Red tail lamp

Option:  Adjustment at  $\pm 1,5^\circ$  on the two axes after mounting

**4 - Optical Characteristics** European standard

American standard

Compliance requested:  STI LOC & PAS 2014 / EN 15153-1 : 2020

49 CFR 229.125  
 49 CFR 238.443  
 49 CFR 221.14

Other:

Anti-glaring according to table 3 of EN15153-1: 2020

[See standard values](#)

Attenuation of existing customer glass on the train:

No customer glass  0% -> 15% Standard vertical glass  15% -> 25% Tempered & small tilted glass  25% -> 35% Tempered & large tilted glass

**5 - Operating rated voltage +25% -30%**  24 V / 36 V  72 V / 110 V

**6 - Light status feedback**

Potential free contact without common ; open on defect  Other Please join a drawing  
 Without feedback

[See diagrams](#)

**7 - Cable** Lenght  Standard: 500 mm  $\pm 30$  mm  1000 mm  $\pm 50$  mm  2000 mm  $\pm 50$  mm  Other:  mm  
 Output  Standard: 0°  90°

**8 - Connector**  Standard: without connector  Other:

**9 - Mounting**  Front mount   Rear mount 

**10 - Options**  Bezel   Protective glass (mandatory for anti-glaring version)   Defrosting glass   Watertightness to mounting frame

## STI LOC & PAS / EN15153-1: 2020

### Lower head lamp

Head lamp	Optical axis	at $\pm 5^\circ$
Full	40 000 to 70 000 cd	> 10 000 cd
Dimmed	12 000 to 16 000 cd	> 3 000 cd

### Upper head lamp

Head lamp	Optical axis
	12 000 to 16 000 cd

### Lower white marker lamp

Marker lamp	Optical axis	at $\pm 45^\circ$
Full	300 to 700 cd	15 to 40 cd
Dimmed	100 to 300 cd	3 to 40 cd

### Upper white marker lamp

Marker lamp	Optical axis	at $\pm 10^\circ$ in horizontal plan
Full	150 to 350 cd	30 to 350 cd
Dimmed	50 to 150 cd	10 to 350 cd

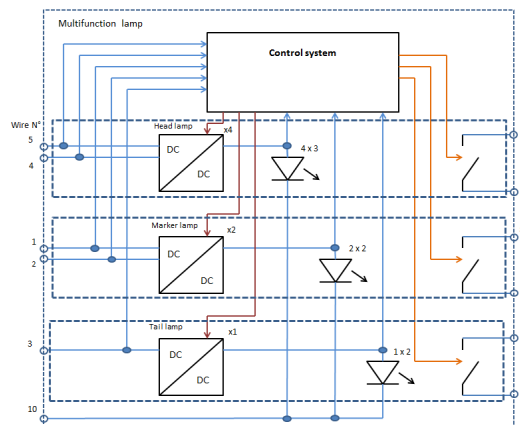
### Lower red tail lamp

Tail lamp	Optical axis	at $\pm 7.5^\circ$ horizontal	at $\pm 2.5^\circ$ vertical
Full	15 to 100 cd	7.5 to 100 cd	7.5 to 100 cd

## 49 CFR229.125 & 49 CFR238.443

Head lamp	Optical axis	at $\pm 7.5^\circ$	at $\pm 20^\circ$
	> 200 000 cd	> 3000 cd	> 400 cd

# Connection & Light status feedback (open on defect)



Other on request

Because both standards and Mafelec's product range are constantly evolving, the information contained in this document cannot be considered contractually binding.

471 Route de la Cuisinière - F-38 490 CHIMILIN - FRANCE - Ph. : +33 (0)4 76 32 07 33 - Fax : +33 (0)4 76 32 54 11  
 www.mafelec.com - contact@mafelec.fr