

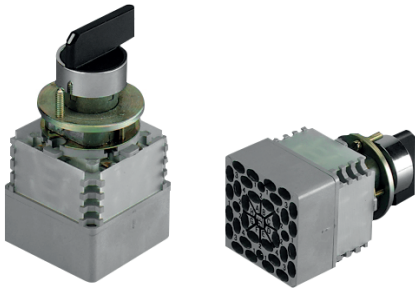


MAFELEC

Creating control and signalling solutions for harsh environments

Momentary-action K4 switches

Momentary-action K4 switches with sliding contacts



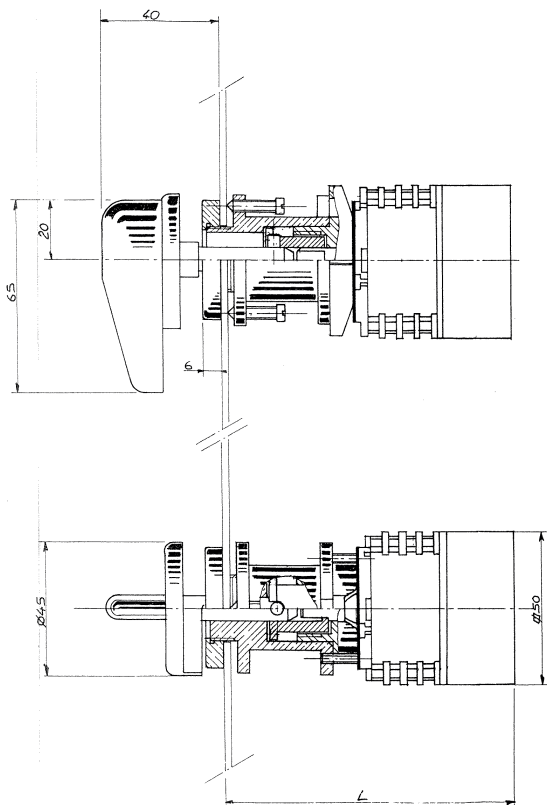
- **4-positions switches held**
- **Suitable in polluted or dusty environments**
- **Compact overall dimensions**

Mechanical characteristics:

- Number of stages: 4 or 8 stages
- Crosshead level control
- Protection against electrical contact: IP 2
- degree of protection: IP 40
- Mechanical endurance: 50 000 operations

Standards:

- Fire: plastic materials UL 94 V0



Electrical characteristics:

- Rated working voltage: 72 V DC (from 50 to 90 V)
- Rated thermal current: 4 A
- Connections:
 - 4 stages: 16 tabs of 6,35 mm
 - 8 stages: 32 tabs of 6,35 mm

Mounting:

- Front panel hole, 22.5 mm dia.
- Securing with 2 set screws



AEROSPACE & DEFENCE



COACHES & BUSES



RAILWAY



INDUSTRY



ENERGY



PLEASURE BOAT



VERTICAL TRANSPORT



INDUSTRIAL VEHICLES



OFFSHORE & MINING

MAFELEC
www.mafelec.com

Textes et images non contractuels

(update 2017/06)